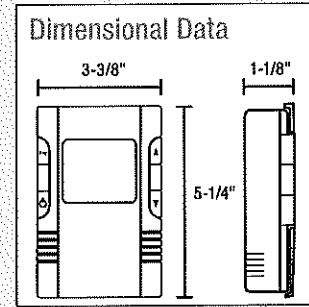
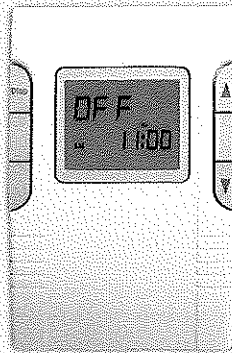


Programmable Thermostat WRA/WRP



- Models available:
 - WR230: simple electronic thermostat
 - WRP230: adds 7 day programming
- Temperature range: 40° to 75°F (4° - 24°C)
- Power Failure Restart: occupant's set point
- Display Format: Liquid Crystal Display (LCD)
- Remote-Controlled Set Back: yes (volt-free)
- Occupancy Sensing - 1, 3 or 6 hour delay
- Window Activation: OFF (on display)
- 40°F (4°C) set back when window is open
- 58°F (14°C) Unoccupied temp
- Relay Rating: 16 Amps resistive or inductive
- Illumination: Seattle blue, on touch of key
- Heat Indicator: LCD, "Heater On"
- Sample Rate: 1 minute
- Delay On Or Off: 2-3 minutes
- Accuracy: ±.9°F
- Max Watts: @ 208/240V = 3320/3840
- Minimum Watts: zero
- Power Supply: 120 or 208/240 Volts
- 150 ft total loop distance

Ordering Information

MODEL	UPC	TYPE	PACKAGING	WIRE LEADS	VOLTS	AMPS	TEMP. RANGE
WR120-B	19183	Electronic Line Voltage	Single Box	3 Wire	120	16	40°F-75°F
WRP120-B	19182	Electronic Line Voltage	Single Box	3 Wire	120	16	40°F-75°F
WR230-B	19181	Electronic Line Voltage	Single Box	3 Wire	208/240	16	40°F-75°F
WRP230-B	19180	Electronic Line Voltage	Single Box	3 Wire	208/240	16	40°F-75°F

The WRP Series WINDOW WATCHER Thermostat

Residential housing projects, motels, and ski resorts often face unnecessarily high and very costly energy bills when windows and/or doors are left open for long periods of time, usually with the heating system on. Until now little could be done to curb this energy waste and expense. Introducing the WINDOW WATCHER™ thermostat, the newest addition to King's energy saving product line. This thermostat is designed to reinforce positive energy habits while limiting landlord energy expenses. With a maximum temperature of 75° the WINDOW WATCHER™ can be customized to your energy saving goals. Sensors placed in a window or door allow this smart thermostat to monitor when they are open. When the volt-free remote contacts are opened the WINDOW WATCHER™ will automatically set the thermostat back to 40°, instantly saving you money! When the window or door is closed the thermostat will automatically return to the originally set comfort temperature. An optional occupancy sensor in line allows the WINDOW WATCHER™ to set the thermostat back when a room is unoccupied, potentially saving you even more. Motels can use contacts that are key card or key activated to begin room heating when the room is occupied, keep the heat to a minimum when unoccupied. How smart and cost effective is that?! Window open set back is clearly displayed on the large back-lit LCD screen when "OFF" appears. That is when you know money is staying in your pockets, not flying carelessly out the window! With no user hold or bypass possible, the WINDOW WATCHER™ is the perfect temperature control anywhere you can not monitor but need to. The WINDOW WATCHER™: real world, confirmed energy savings. Helping to save our resources and curb less desirable energy habits.

How It Works

Small bell-type wire, 90°C (22 gauge) connected to the back of this thermostat senses if a window or door is open. Simple magnetic switches used in alarm systems can be used as the contacts. Combined with occupancy sensors potential savings are maximized.

WINDOW WATCHER

